

ANDROMEDA

Product Image

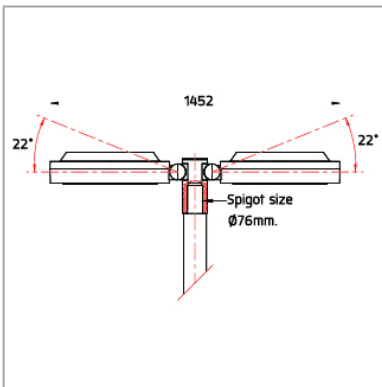


Project Data

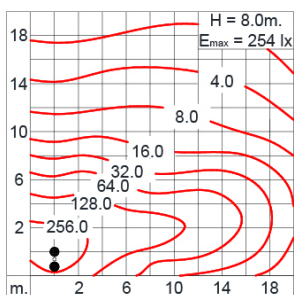
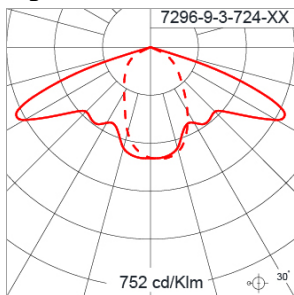
Project: _____
 Location: _____
 Date: _____
 Remarks: _____
 Approve by: _____

Application Type: AREA LIGHT
 Product Name: ANDROMEDA Area Light / Double Sided
 Ordering Code: 7296-9-3-724-XX
 Lamp Type: HIT-CE
 Socket: E40
 Watt: 2x400 W
 Lumen: 2x42000 lm
 Beam: N/A
 Kelvin: 4000 K

Dimension



Light Distribution



*Due to the constancy of product development, we reserve the right to alter all specification without prior notice.

ANDROMEDA

Specification

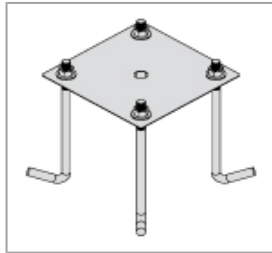
IEC Standard	IEC 60598-1 General Requirement IEC 60598-2-1 Fixed Luminaires
Protection	IP65 Class II
IK Rating	Protection against mechanical impact IK10 on body and IK07 on optical part.
Luminaires Body Housing	High-pressure Die Cast Aluminium alloy body and components. High Strength Cast Aluminium alloy component.
Coating Process	Nano Ceramic surface conversion, resistant to corrosive environment. Luminaire primarily coated with epoxy resin and top coated with UV stabilized polyester powder and cured in digital temperature controlled chamber at 200°C.
Diffuser	Impact resistant safety tempered glass cover. Able to withstand the temperature up to 250°C.
Reflector	High efficiency engineering designed Deep-Draw forming reflector.
Adjustable Optic	Adjustable aiming unit through graduated scale.
Gasket	Post-cured treated silicone gasket. Temperature and weather resistant. Working temperature -40°C to +200°C.
External screws	External screws are in stainless steel with protection dipping.
Cable Entry	Cable entry protected by M16 cable gland from Lapp Kabel. To be used with H05RN-F/ H07RN-F cable with 5-10mm. diameter.
Lamp Holder	E40 lampholder in ceramic body from Vossloh Schwabe or equivalents. VDE/ ENEC approved.
Ballast	Vacuum impregnated magnetic ballast for HID lamp from Vossloh Schwabe/ BAG Electronics or equivalents. ENEC approved.
Capacitor	Aluminium case capacitor with over pressure safety device from Italfarad or equivalents. ENEC approved.
Ignitor	Electronic ignitor with automatic switch-off function from Vossloh Schwabe or equivalents. ENEC approved.
Internal wire	Tinned copper conductor with silicone insulated internal wire from ENCO or equivalents. IMQ approved. Working temperature -40°C to +180°C.
Terminal Block/ Connector	HID control gear wired with double insulated silicone cable and compatible to be operated under ignition voltage up to 5KV. Terminal block in GFR PA6.6 for cable with cross section up to 2.5mm ² . VDE approved.
Caution	Installation work has to be carried on according to the enclosed installation manual.
Color	Black [replace the last 2 digits of ordering code with 01] Graphite [replace the last 2 digits of ordering code with 02] Dark Gray [replace the last 2 digits of ordering code with 03] Aluminium Silver [replace the last 2 digits of ordering code with 04] White [replace the last 2 digits of ordering code with 06]

ANDROMEDA

Accessories



Ordering Code: -
Galvanized Steel Pole
Ø114mm. with fuse
(see detail on page 494, 495)



Ordering Code: -
Anchor bolt kit for concrete
foundation installing.
(see detail on page 494, 495)