

SONIC

Product Image

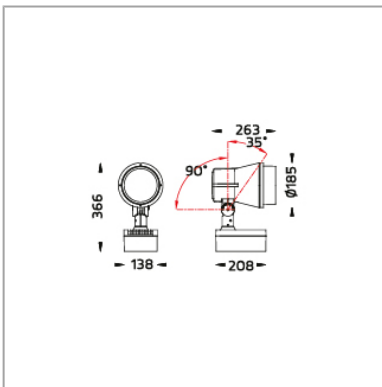


Project Data

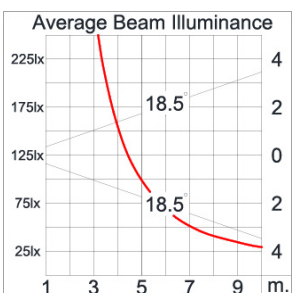
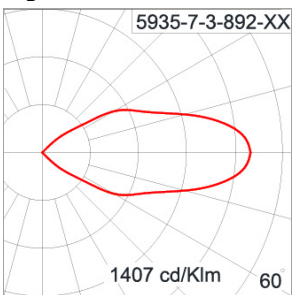
Project: _____
 Location: _____
 Date: _____
 Remarks: _____
 Approve by: _____

Application Type: SPOTLIGHT
 Product Name: Mega SONIC - Gear
 Ordering Code: 5935-7-3-892-XX
 Lamp Type: LED
 Socket: N/A
 Watt: 55 W
 Lumen: 5500 lm
 Beam: 37°
 Kelvin: 4000 K

Dimension



Light Distribution



*Due to the constancy of product development,
 we reserver the right to alter all specification
 without prior notice.

SONIC

Specification

| | |
|---------------------------|--|
| IEC Standard | IEC 60598-1 General Requirement IEC 60598-2-1 Fixed Luminaires |
| Protection | IP65 Class I |
| IK Rating | Protection against mechanical impact IK08 on body and IK07 optical part. |
| Luminaires Body Housing | High-pressure Die Cast Aluminium alloy body and components. |
| Coating Process | Nano Ceramic surface conversion, resistant to corrosive environment. Luminaire primarily coated with epoxy resin and top coated with UV stabilized polyester powder and cured in digital temperature controlled chamber at 200°C. |
| Diffuser | Impact resistant safety tempered glass cover. Able to withstand the temperature up to 250°C. |
| Reflector | High performance anodized spun aluminium reflector. |
| Adjustable Optic | Adjustable aiming unit through graduated scale. |
| Gasket | Post-cured treated silicone gasket. Temperature and weather resistant. Working temperature -40°C to +200°C. |
| External screws | External screws are in stainless steel with protection dipping. |
| Cable Entry | Cable entry protected by M20 cable gland. To be used with H05RN-F/ H07RN-F cable with 7-13mm. diameter. |
| LED | High efficiency LED module in COB technology from Citizen - Japan. Assembled on MCPCB and mounted on to heat conductive material. The whole systems tested to be operated under maximum ambient environment up to +40°C. |
| Driver | High quality constant current LED driver. Conform to safety standard and electromagnetic compatibility standard. |
| Internal wire | Tinned copper conductor with silicone insulated internal wire from ENCO or equivalents. IMQ approved. Working temperature -40°C to +180°C. Tinned copper conductor with PTFE insulated internal wire from EMC Colosio or equivalents. IMQ approved. Working temperature -40°C to +250°C. |
| Terminal Block/ Connector | Terminal block in GFR PA6.6 for cable with cross section up to 2.5mm ² . VDE approved. Class1 luminaire provided with the earth connection. |
| Caution | Installation work has to be carried on according to the enclosed installation manual. |
| Color | Black [replace the last 2 digits of ordering code with 01] Graphite [replace the last 2 digits of ordering code with 02] Dark Gray [replace the last 2 digits of ordering code with 03] Aluminium Silver [replace the last 2 digits of ordering code with 04] White [replace the last 2 digits of ordering code with 06] |

SONIC

Accessories



Ordering Code: 9-0105-XX
Glare Shield Cap



Ordering Code: 9-2000-00
GFR Polymer Earth Spike



Ordering Code: 9-2002-00
Double Tree Strap (for big
base with magnetic ballast)