

SE7EN

Product Image

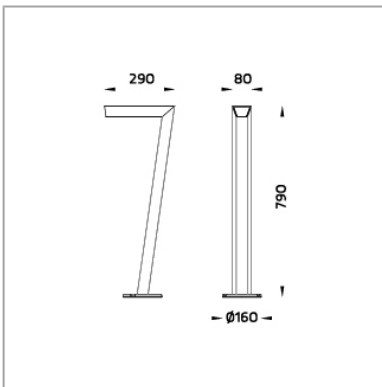


Project Data

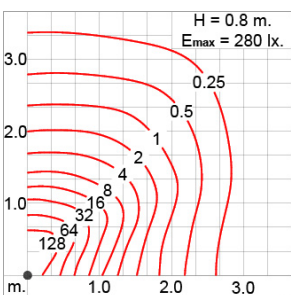
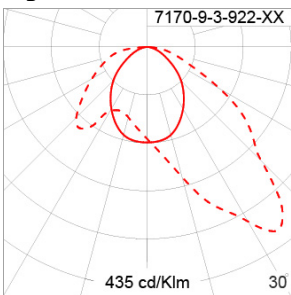
Project: _____
 Location: _____
 Date: _____
 Remarks: _____
 Approve by: _____

Application Type: BOLLARDS
 Product Name: SE7EN Bollard
 Ordering Code: 7170-9-3-922-XX
 Lamp Type: LED
 Socket: N/A
 Watt: 5.2 W
 Lumen: 610 lm
 Beam: Asymmetric
 Kelvin: 4000 K

Dimension



Light Distribution



*Due to the constancy of product development,
 we reserve the right to alter all specification
 without prior notice.

Unilamp Co., Ltd.
 461 Ramintra Road, Kannayao, Bangkok 10230 Thailand
 Tel: +66[0]2 943 2420-1, +66[0]2 946 4170-1
 Fax: +66[0]2 943 0894, +66[0]2 943 2419
 unilamp@unilamp.co.th
 www.unilamp.co.th

SE7EN

Specification

IEC Standard	IEC 60598-1 General Requirement IEC 60598-2-1 Fixed Luminaires
Protection	IP66 Class II
IK Rating	Protection against mechanical impact IK08 on body and optical part.
Luminaires Body Housing	High-pressure Die Cast Aluminium alloy body and components. Extruded Aluminium S6063 alloy body with low copper content.
Coating Process	Nano Ceramic surface conversion, resistant to corrosive environment. Luminaire primarily coated with epoxy resin and top coated with UV stabilized polyester powder and cured in digital temperature controlled chamber at 200°C.
Diffuser	Impact resistant safety tempered glass cover. Able to withstand the temperature up to 250°C.
Gasket	Weather resistant silicone gasket. Working temperature -40°C to +200°C.
External screws	External screws are in stainless steel with protection dipping.
LED	High efficiency LED module utilized LG Electronics chips. Assembled on MCPCB and mounted on to heat conductive material. The whole systems tested to be operated under maximum ambient environment up to +40°C.
Driver	High quality constant current LED driver. Conform to safety standard and electromagnetic compatibility standard.
Internal wire	Tinned copper conductor with silicone insulated internal wire from ENCO or equivalents. IMQ approved. Working temperature -40°C to +180°C.
Pre-wired cable	Pre-wired with 2x1.0mm. HO7RN-F neoprene cable from Aristoncavi or equivalents. IMQ approved. Main connection provided with IP68 watertight connecting device for cable diameter 7-12mm with 2.5mm ² section
Caution	Installation work has to be carried on according to the enclosed installation manual.
Color	Black (replace the last 2 digits of ordering code with 01) Graphite (replace the last 2 digits of ordering code with 02) Dark Gray (replace the last 2 digits of ordering code with 03) Aluminium Silver (replace the last 2 digits of ordering code with 04) White (replace the last 2 digits of ordering code with 06)

SE7EN

Accessories

*Due to the constancy of product development,
we reserve the right to alter all specifications
without prior notice.

Unilamp Co., Ltd.
461 Ramintra Road, Kannayao, Bangkok 10230 Thailand
Tel: +66[0]2 943 2420-1, +66[0]2 946 4170-1
Fax: +66[0]2 943 0894, +66[0]2 943 2419
unilamp@unilamp.co.th
www.unilamp.co.th