

SIROCCO

Product Image

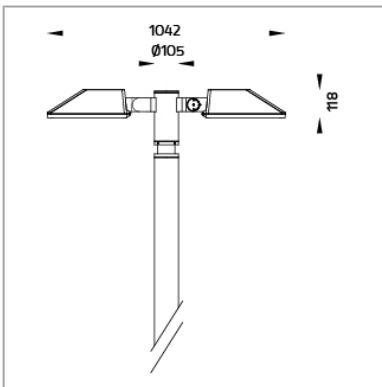


Project Data

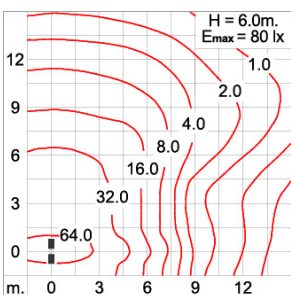
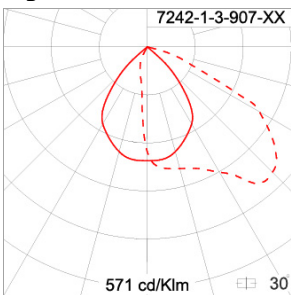
Project: _____
 Location: _____
 Date: _____
 Remarks: _____
 Approve by: _____

Application Type: AREA LIGHT
 Product Name: Small SIROCCO – Area Light / Asymmetric Double Sided
 Ordering Code: 7242-1-3-907-XX
 Lamp Type: LED
 Socket: N/A
 Watt: 2x57 W
 Lumen: 2x6530 lm
 Beam: Asymmetric
 Kelvin: 4000 K

Dimension



Light Distribution



*Due to the constancy of product development,
 we reserver the right to alter all specification
 without prior notice.

Unilamp Co., Ltd.
 461 Ramintra Road, Kannayao, Bangkok 10230 Thailand
 Tel: +66[0]2 943 2420-1, +66[0]2 946 4170-1
 Fax: +66[0]2 943 0894, +66[0]2 943 2419
 unilamp@unilamp.co.th
 www.unilamp.co.th

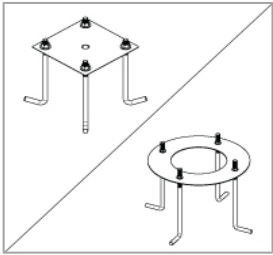
SIROCCO

Specification

IEC Standard	IEC 60598-1 General Requirement IEC 60598-2-1 Fixed Luminaires
Protection	IP65 Class I
IK Rating	Protection against mechanical impact IK08 on body and IK07 optical part.
Luminaires Body Housing	High-pressure Die Cast Aluminium alloy body and components. Extruded Aluminium 56063 alloy body with low copper content.
Coating Process	Nano Ceramic surface conversion, resistant to corrosive environment. Luminaire primarily coated with epoxy resin and top coated with UV stabilized polyester powder and cured in digital temperature controlled chamber at 200°C.
Diffuser	Impact resistant safety tempered glass cover. Able to withstand the temperature up to 250°C.
Reflector	High performance CNC forming aluminium reflector sheet from Alanod – Germany.
Adjustable Optic	Adjustable aiming unit through graduated scale.
Gasket	Post-cured treated silicone gasket. Temperature and weather resistant. Working temperature -40°C to +200°C.
External screws	External screws are in stainless steel with protection dipping.
LED	High efficiency LED module utilized Vossloh Schwabe. Assembled on MCPCB and mounted on to heat conductive material. The whole systems tested to be operated under maximum ambient environment up to +40°C.
Driver	High quality constant current LED driver. Conform to safety standard and electromagnetic compatibility standard.
Internal wire	Tinned copper conductor with silicone insulated internal wire from ENCO or equivalents. IMQ approved. Working temperature -40°C to +180°C.
Terminal Block/ Connector	Terminal block in GFR PA6.6 for cable with cross section up to 2.5mm ² . VDE approved. Class1 luminaire provided with the earth connection.
Caution	Installation work has to be carried on according to the enclosed installation manual.
Color	Black (replace the last 2 digits of ordering code with 01) Graphite (replace the last 2 digits of ordering code with 02) Dark Gray (replace the last 2 digits of ordering code with 03) Aluminium Silver (replace the last 2 digits of ordering code with 04) White (replace the last 2 digits of ordering code with 06)

SIROCCO

Accessories



Ordering Code: -
Anchor bolt kit for concrete
foundation installing.
(see detail on page 488, 491,
494 & 495)

Ordering code:
9-2020-00 for aluminium pole
Ø105mm.
9-2023-00 for steel pole
Ø102mm.
9-2024-00 for steel pole
Ø114mm.



Ordering Code: -
Extruded aluminium pole
Ø105mm. with fuse
(see detail on page 488)



Ordering Code: -
Galvanized Steel Pole
Ø102mm. with fuse
(see detail on page 491)



Ordering Code: -
Galvanized Steel Pole
Ø114mm.
with fuse
(see detail on page 494 &
495)