

RETINA

Product Image

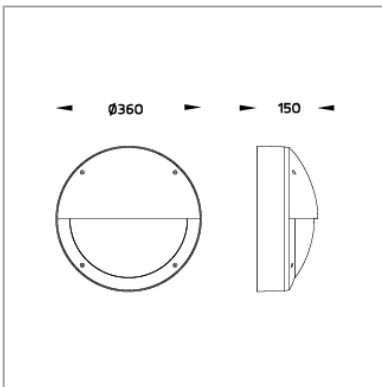


Project Data

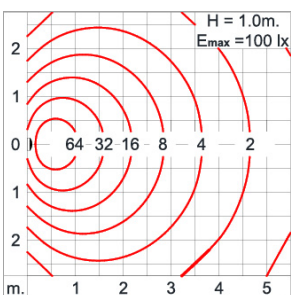
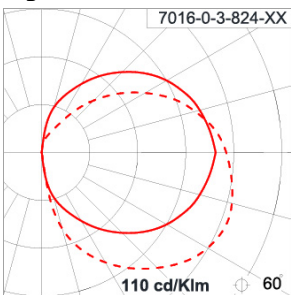
Project: _____
 Location: _____
 Date: _____
 Remarks: _____
 Approve by: _____

Application Type: GENERAL WALL LIGHT
 Product Name: Maxi RETINA 2
 Ordering Code: 7016-0-3-824-XX
 Lamp Type: LED
 Socket: N/A
 Watt: 27 W
 Lumen: 2550 lm
 Beam: N/A
 Kelvin: 4000 K

Dimension



Light Distribution



*Due to the constancy of product development,
 we reserver the right to alter all specification
 without prior notice.

Unilamp Co., Ltd.
 461 Ramintra Road, Kannayao, Bangkok 10230 Thailand
 Tel: +66[0]2 943 2420-1, +66[0]2 946 4170-1
 Fax: +66[0]2 943 0894, +66[0]2 943 2419
 unilamp@unilamp.co.th
 www.unilamp.co.th

RETINA

Specification

IEC Standard	IEC 60598-1 General Requirement IEC 60598-2-1 Fixed Luminaires
Protection	IP65 Class II
IK Rating	Protection against mechanical impact IK09 on body and optical part.
Luminaires Body Housing	High-pressure Die Cast Aluminium alloy body and components.
Coating Process	Nano Ceramic surface conversion, resistant to corrosive environment. Luminaire primarily coated with epoxy resin and top coated with UV stabilized polyester powder and cured in digital temperature controlled chamber at 200°C.
Diffuser	Self-extinguishing high impact resistant opal polycarbonate diffuser with UV stabilized additive. Material from Teijin – Japan.
Gasket	Weather resistant silicone gasket. Working temperature -40°C to +200°C.
External screws	External screws are in stainless steel with protection dipping.
Cable Entry	Cable entry protected by weather proof EPDM grommet and to be used with H05RN-F/ H07RN-F cable with 7-10mm. diameter.
LED	High efficiency SMD LED module with built-in constant current LED driver. Replacable module for future upgrade or maintenance.
Internal wire	Tinned copper conductor with PTFE insulated internal wire from EMC Colosio or equivalents. IMQ approved. Working temperature -40°C to +250°C.
Terminal Block/ Connector	Terminal block in GFR PA6.6 for cable with cross section up to 2.5mm ² . VDE approved. Class1 luminaire provided with the earth connection.
Caution	Installation work has to be carried on according to the enclosed installation manual.
Color	Black (replace the last 2 digits of ordering code with 01) Graphite (replace the last 2 digits of ordering code with 02) Dark Gray (replace the last 2 digits of ordering code with 03) Aluminium Silver (replace the last 2 digits of ordering code with 04) White (replace the last 2 digits of ordering code with 06)

RETINA

Accessories

*Due to the constancy of product development,
we reserver the right to alter all specification
without prior notice.

Unilamp Co., Ltd.
461 Ramintra Road, Kannayao, Bangkok 10230 Thailand
Tel: +66[0]2 943 2420-1, +66[0]2 946 4170-1
Fax: +66[0]2 943 0894, +66[0]2 943 2419
unilamp@unilamp.co.th
www.unilamp.co.th