

ACQUA

Product Image

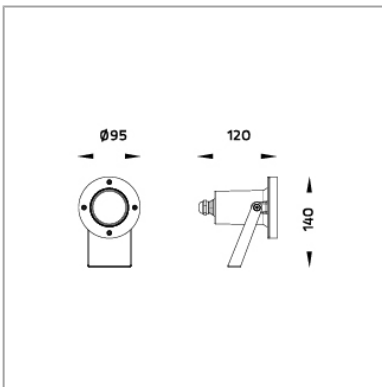


Project Data

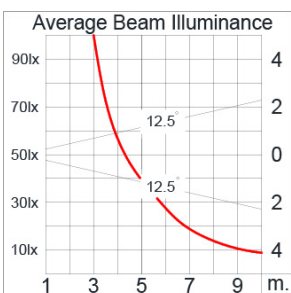
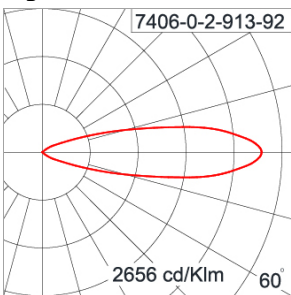
Project: _____
 Location: _____
 Date: _____
 Remarks: _____
 Approve by: _____

Application Type: UNDER WATER SPOTLIGHT
 Product Name: ACQUA - Wall / Ground Mount
 Ordering Code: 7406-0-2-913-92
 Lamp Type: LED
 Socket: N/A
 Watt: 12 W(700mA)
 Lumen: 1250 lm
 Beam: 25°
 Kelvin: 4000 K

Dimension



Light Distribution



*Due to the constancy of product development, we reserver the right to alter all specification without prior notice.

ACQUA

Specification

| | |
|-------------------------|---|
| IEC Standard | IEC 60598-1 General Requirement IEC 60598-2-18 Luminaires for Swimming Pools |
| Protection | IP68 Class III |
| IK Rating | Protection against mechanical impact IK10 on body and IK06 on optical part. |
| Luminaires Body Housing | Supreme corrosion proof Under Water grade Stainless Steel. Full body polish finished. |
| Diffuser | Impact resistant safety tempered glass cover. Able to withstand the temperature up to 250°C. |
| Lens | Molded PC lens from renowned manufacturers in various light distribution patterns. |
| Gasket | Post-cured treated silicone gasket. Temperature and weather resistant. Working temperature -40°C to +200°C. |
| External screws | Marine grade 316 stainless steel screw. |
| Cable Entry | Cable entry protected by M20 cable gland. To be used with H05RN-F/ H07RN-F cable with 7-13mm. diameter. |
| LED | High efficiency LED module utilized Philips Lumiled chips. Assembled on MCPCB and mounted on to heat conductive material. The whole systems tested to be operated under maximum ambient environment up to +40°C. |
| Driver | Driver is not included and has to be ordered separately. |
| Pre-wired cable | Pre-wired with 2x1.5mm. H07RN-F neoprene cable from Aristoncavi or equivalents. IMQ approved. |
| Caution | The water drainage system must be tested to ensure that it is sufficiency and efficiency. Installation work has to be carried on according to the enclosed installation manual. |

ACQUA

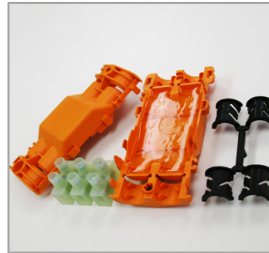
Accessories



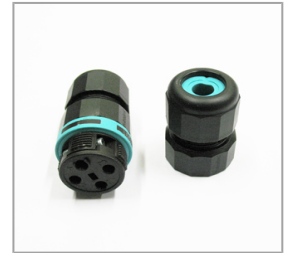
Ordering Code: 0274-0-9-000-01
LED Constant Current Driver
700mA 1-20W. In IP67 GFR
Polymer Box



Ordering Code: 9-0902-00
IP68 water tight connection
device for through wiring



Ordering Code: 9-0904-00
Gel-Filled IP68 connector for
through wiring.
For cable diameter 6.5 –
12mm



Ordering Code: 9-0903-00
IP68 watertight connecting
device



Ordering Code: 9-0905-00
Gel-Filled IP68 connector.
For cable diameter 8 –
10mm