

# SIROCCO

## Product Image

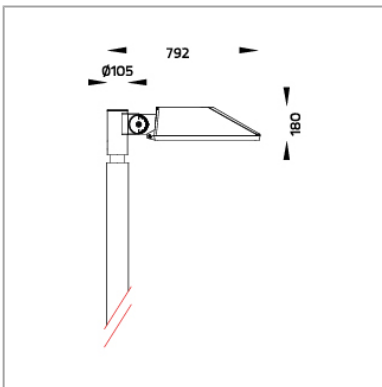


## Project Data

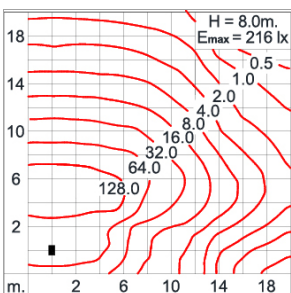
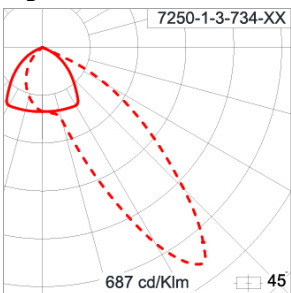
Project: \_\_\_\_\_  
 Location: \_\_\_\_\_  
 Date: \_\_\_\_\_  
 Remarks: \_\_\_\_\_  
 Approve by: \_\_\_\_\_

Application Type: AREA LIGHT  
 Product Name: Medium SIROCCO - Area Light / Asymmetric Single Side  
 Ordering Code: 7250-1-3-734-XX  
 Lamp Type: HIT-DE-CE  
 Socket: Fc2  
 Watt: 400 W  
 Lumen: 36000 lm  
 Beam: Asymmetric  
 Kelvin: 4200 K

## Dimension



## Light Distribution



\*Due to the constancy of product development,  
 we reserve the right to alter all specification  
 without prior notice.

Unilamp Co., Ltd.  
 461 Ramintra Road, Kannayao, Bangkok 10230 Thailand  
 Tel: +66[0]2 943 2420-1, +66[0]2 946 4170-1  
 Fax: +66[0]2 943 0894, +66[0]2 943 2419  
 unilamp@unilamp.co.th  
 www.unilamp.co.th

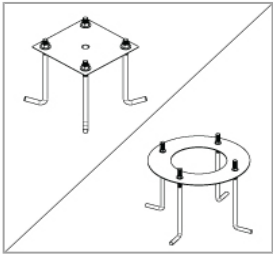
# SIROCCO

## Specification

IEC Standard	IEC 60598-1 General Requirement IEC 60598-2-1 Fixed Luminaires
Protection	IP65 Class I
IK Rating	Protection against mechanical impact IK08 on body and IK07 optical part.
Luminaires Body Housing	High-pressure Die Cast Aluminium alloy body and components. Extruded Aluminium S6063 alloy body with low copper content.
Coating Process	Nano Ceramic surface conversion, resistant to corrosive environment. Luminaire primarily coated with epoxy resin and top coated with UV stabilized polyester powder and cured in digital temperature controlled chamber at 200°C.
Diffuser	Impact resistant safety tempered glass cover. Able to withstand the temperature up to 250°C.
Reflector	High performance CNC forming aluminium reflector sheet from Alanod – Germany.
Adjustable Optic	Adjustable aiming unit through graduated scale.
Gasket	Post-cured treated silicone gasket. Temperature and weather resistant. Working temperature -40°C to +200°C.
External screws	External screws are in stainless steel with protection dipping.
Lamp Holder	Fc2 lampholder in ceramic body from Vossloh Schwabe or equivalents. VDE/ ENEC approved.
Ballast	Vacuum impregnated magnetic ballast for HID lamp from Vossloh Schwabe/ BAG Electronics or equivalents. ENEC approved.
Capacitor	Aluminium case capacitor with over pressure safety device from Italfarad or equivalents. ENEC approved.
Ignitor	Electronic ignitor with automatic switch-off function from Vossloh Schwabe or equivalents. ENEC approved.
Internal wire	Tinned copper conductor with silicone insulated internal wire from ENCO or equivalents. IMQ approved. Working temperature -40°C to +180°C.
Terminal Block/ Connector	HID control gear wired with double insulated silicone cable and compatible to be operated under ignition voltage up to 5KV. Terminal block in GFR PA6.6 for cable with cross section up to 2.5mm <sup>2</sup> . VDE approved. Class1 luminaire provided with the earth connection.
Caution	Installation work has to be carried on according to the enclosed installation manual.
Color	Black [replace the last 2 digits of ordering code with 01] Graphite [replace the last 2 digits of ordering code with 02] Dark Gray [replace the last 2 digits of ordering code with 03] Aluminium Silver [replace the last 2 digits of ordering code with 04] White [replace the last 2 digits of ordering code with 06]

# SIROCCO

## Accessories



Ordering Code: -  
Anchor bolt kit for concrete  
foundation installing.  
(see detail on page 488, 491,  
494 & 495)

Ordering code:  
9-2020-00 for aluminium pole  
Ø105mm.  
9-2023-00 for steel pole  
Ø102mm.  
9-2024-00 for steel pole  
Ø114mm.



Ordering Code: -  
Extruded aluminium pole  
Ø105mm. with fuse  
(see detail on page 488)



Ordering Code: -  
Galvanized Steel Pole  
Ø102mm. with fuse  
(see detail on page 491)



Ordering Code: -  
Galvanized Steel Pole  
Ø114mm.  
with fuse  
(see detail on page 494 &  
495)